

City of Fayetteville Staff Review Form

2020-0311

Legistar File ID

4/21/2020

City Council Meeting Date - Agenda Item Only
N/A for Non-Agenda Item

Tim Nyander

4/7/2020

WASTEWATER TREATMENT (730)

Submitted By

Submitted Date

Division / Department

Action Recommendation:

Staff recommends approval of a quote from Craft Bearing Company, Inc. in the amount of \$36,505.60 plus applicable taxes and freight charges for the purchase of two replacement bearings for the thermal dryer at the Biosolids Management Site.

Budget Impact:

5400.730.5800-5414.00	Water and Sewer																								
Account Number	Fund																								
02069.1	Plant Pumps and Equipment - WWTP																								
Project Number	Project Title																								
<table border="0" style="width: 100%;"> <tr> <td style="width: 30%;">Budgeted Item?</td> <td style="width: 10%; text-align: center;">Yes</td> <td style="width: 30%; border-bottom: 1px solid black;">Current Budget</td> <td style="width: 30%; text-align: right;">\$ 1,477,313.00</td> </tr> <tr> <td></td> <td></td> <td style="border-bottom: 1px solid black;">Funds Obligated</td> <td style="text-align: right;">\$ 287,502.21</td> </tr> <tr> <td></td> <td></td> <td style="border-bottom: 1px solid black;">Current Balance</td> <td style="text-align: right; border: 1px solid black;">\$ 1,189,810.79</td> </tr> <tr> <td>Does item have a cost?</td> <td style="text-align: center;">Yes</td> <td style="border-bottom: 1px solid black;">Item Cost</td> <td style="text-align: right;">\$ 36,505.60</td> </tr> <tr> <td>Budget Adjustment Attached?</td> <td style="text-align: center;">No</td> <td style="border-bottom: 1px solid black;">Budget Adjustment</td> <td style="text-align: right;">\$ -</td> </tr> <tr> <td></td> <td></td> <td style="border-bottom: 1px solid black;">Remaining Budget</td> <td style="text-align: right; border: 1px solid black;">\$ 1,153,305.19</td> </tr> </table>	Budgeted Item?	Yes	Current Budget	\$ 1,477,313.00			Funds Obligated	\$ 287,502.21			Current Balance	\$ 1,189,810.79	Does item have a cost?	Yes	Item Cost	\$ 36,505.60	Budget Adjustment Attached?	No	Budget Adjustment	\$ -			Remaining Budget	\$ 1,153,305.19	
Budgeted Item?	Yes	Current Budget	\$ 1,477,313.00																						
		Funds Obligated	\$ 287,502.21																						
		Current Balance	\$ 1,189,810.79																						
Does item have a cost?	Yes	Item Cost	\$ 36,505.60																						
Budget Adjustment Attached?	No	Budget Adjustment	\$ -																						
		Remaining Budget	\$ 1,153,305.19																						

V20180321

Purchase Order Number: _____

Previous Ordinance or Resolution # _____

Change Order Number: _____

Approval Date: _____

Original Contract Number: _____

Comments:



MEETING OF APRIL 21, 2020

TO: Mayor and City Council

THRU: Susan Norton, Chief of Staff

FROM: Tim Nyander, Utilities Director

DATE: April 7, 2020

SUBJECT: Replacement of Bearings in the Thermal Dryer at the Biosolids Management Site

RECOMMENDATION:

The staff is recommending approval of a quote from Craft Bearing Company, Inc. in the amount of \$36,505.60 plus applicable taxes and freight charges for the purchase of two replacement bearings for the thermal dryer at the Biosolids Management Site.

BACKGROUND:

The Biosolids Management Site utilizes a series of (6) six solar houses, and a thermal drying process for production of Class-A, biosolids fertilizer. The Noland and West Side treatment facilities produce an average of over 100,000 lbs. of belt-pressed biosolids every day. The solar houses and thermal dryer are tandem processes that reduce the daily biosolids volume down to approximately 15,000 lbs. of Class-A, Exceptional Quality fertilizer. The thermal dryer process nearly 75% of all biosolids annually. The biosolids drying process saves the city significant landfill costs annually, as well as allows for beneficial reuse of the biosolids material.

DISCUSSION:

The thermal dryer is out of service due to a failed bearing, which occurred on April 6, 2020. This bearing was replaced as part of the overhaul of the dryer in 2019 and should have a life span of 5 years or more. While investigation of the failure and possible recovery from the dryer authorized service company will be pursued, it is critical this part be purchased and installed as soon as possible. This downtime will require solids be sent to the landfill. At current production rates those costs are about \$20,000 / week in tipping fees.

A replacement is available and in stock. The cost of the new bearing is approximately \$36,505.60 plus applicable taxes and freight charges. It is estimated that delivery and installation will take one week from the time the supplier receives the purchase order. Installation will be completed by Jacobs maintenance staff.

BUDGET/STAFF IMPACT:

Existing CIP monies are available in the Water/Sewer fund.



5000 Chestnut Avenue
Newport News, Virginia 23605

Bearing Company, Inc.

Tel: 757-247-6000

Fax: 757-247-6300

City of Fayetteville
113 West Mountain Street
Fayetteville, AR 72701
Contact: Jacobs Engineering
David Dajani
(479) 443-3292

April 07, 2020

Subject: Quotation for Waste Treatment Plant

Item	Qty	Description	Price each	Availability
1.	1	S1 BC 1200 FL C5	\$18,252.80	4 days ARO
S1 series, bearing-cartridge with seals, 12 inch bore, floating (FL) type, C5 clearance for high heat application				
2.	1	S1 BC 1200 HD C5	\$18,252.80	4 days ARO
S1 series, bearing-cartridge with seals, 12 inch bore, held (HD) type, C5 clearance for high heat application				

The above quotation is in U.S. currency, based upon the quantity shown, and is good for 30 days from this date. Should the above quantities change, a new quotation should be obtained. Pricing is based on F.O.B. our facilities in Newport News, VA.

Thank you for the opportunity to quote your requirements. Feel free to contact Craft Bearing Company at any time should you have any questions or we may be of further assistance in any way. We look forward to hearing from you.

Regards,

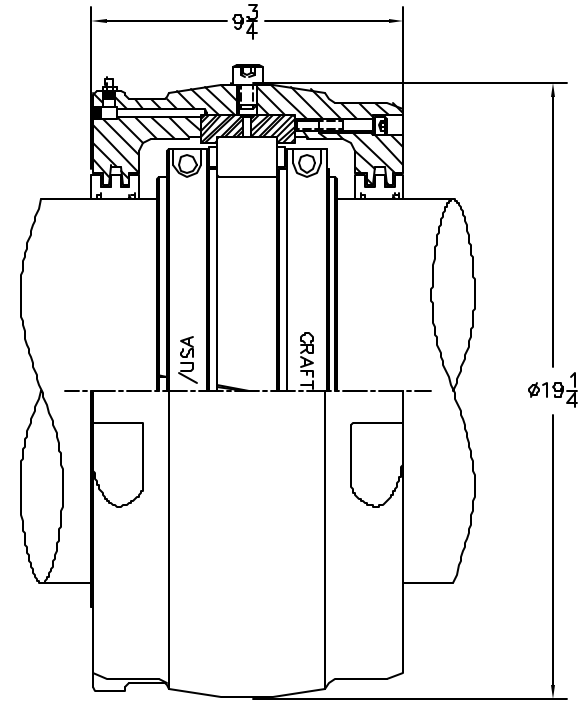
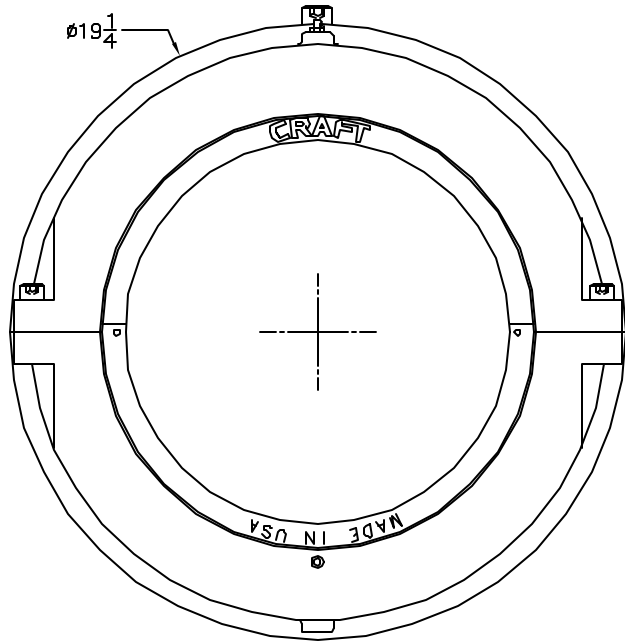
Bob Kerwin
Technical Sales Manager
Craft Bearing Company, Inc.
E-mail: BKerwin@craftbearing.com
Cell: (757) 869-0823
Web site: www.craftbearing.com



Split Roller Bearings
Made in the USA

Confidentiality Statement:

Information contained in this communication, including any attachments, are intended for the person or entity to which this letter is addressed and may contain confidential, proprietary, or otherwise privileged material. Review, re-transmission, dissemination, or other use of, or taking action on reliance upon this information by other than the intended recipient is prohibited. In the event you are not the intended recipient of this e-mail, kindly inform the sender and remove the information from your computer.



* AVAILABLE SHAFT SIZES
12
300mm

DYNAMIC RATING: 163,906 lbs
STATIC RATING: 331,580 lbs
WEIGHT: APPROX: 337 LBS

THE INFORMATION CONTAINED ON THIS DRAWING IS PROPRIETARY TO CRAFT BEARING CO., INC. AND SHALL NOT BE DUPLICATED, DISSEMINATED OR DISTRIBUTED WITHOUT THE EXPRESS WRITTEN PERMISSION OF CRAFT BEARING COMPANY, INC.

DRAWN D. VERNON	DATE 02/18/04	CRAFT THE CRAFT BEARING COMPANY, INC. 5000 CHESTNUT DRIVE NEWPORT NEWS, VA 23605	
DESIGN		TITLE * S1-BC-1200 CARTRIDGE ASSEMBLY STANDARD	
CHECK		UNLESS OTHERWISE SPECIFIED DIMENSIONS ARE IN INCHES AND TOLERANCES ARE: DECIMALS FRACTIONS .XXX ± .005 ± 1/32 .XX ± .010 ANGLES .X ± .020 ± 1/2"	SCALE 1:5(A)
		DWG NO. S1-BC-1200	REV LVL ~
		CAD FILE C:\...S1-1100\1120GA0A-CART.DWG	